

NOTE:

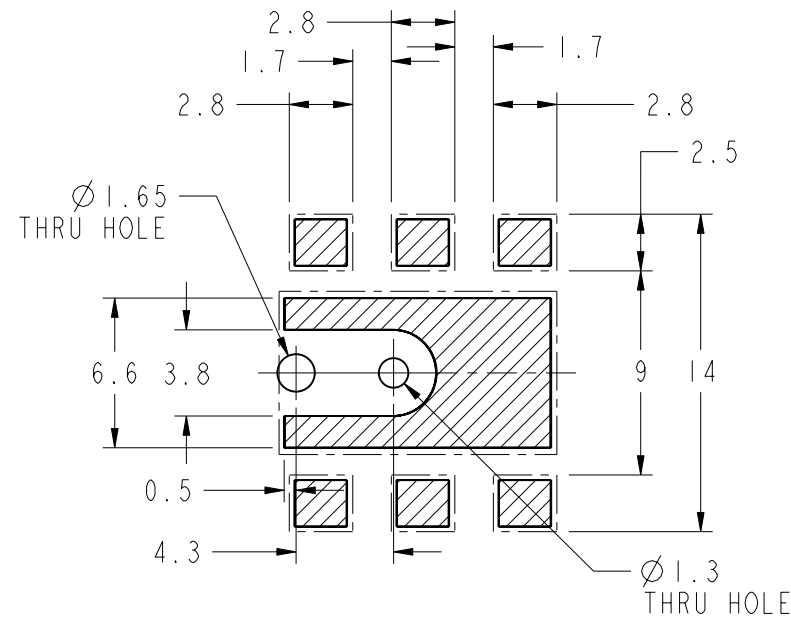
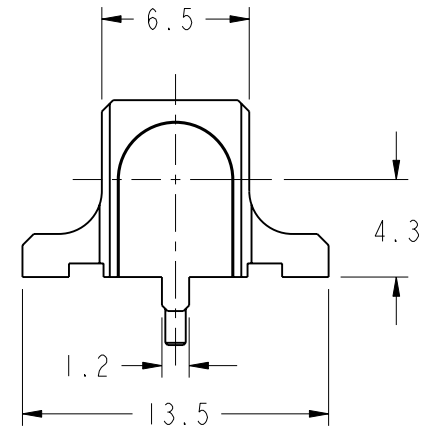
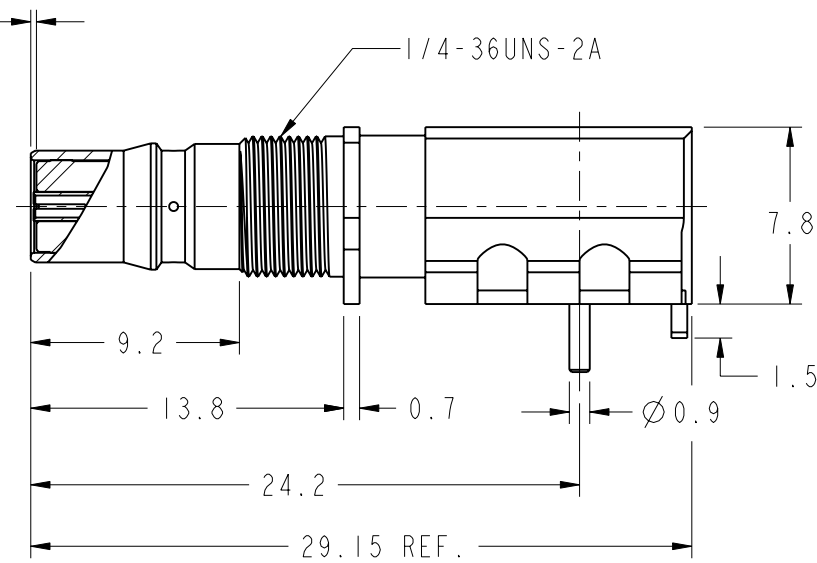
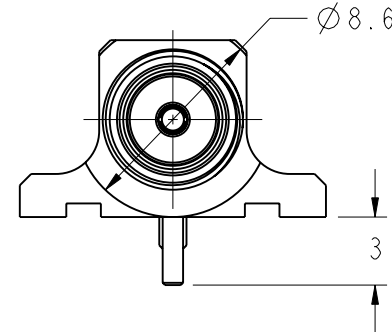
1. MATERIALS AND FINISHES (PLATING THICKNESS IN MICRO-INCHES):
 BODY - BRASS, GOLD PLATING
 CONTACT - BERYLLIUM COPPER, GOLD PLATING
 INSULATOR - PTFE, NATURAL
2. ELECTRICAL:
 A. IMPEDANCE: 50 OHMS
 B. FREQUENCY RANG: DC-6 GHZ
 C. DIELECTRIC WITHSTANDING VOLTAGE: 1000 VRMS
3. MECHANICAL:
 A. DURABILITY: 100 CYCLES MIN.
 B. TEMPERATURE RANGE: -40°C TO + 85°C
 C. INSERTION FORCE: 25N TYPICAL
 D. WITHDRAWL FORCE: 20N TYPICAL
4. PACKAGE:
 USE TAPE & REEL PACKAGE

THIRD ANGLE PROJ.

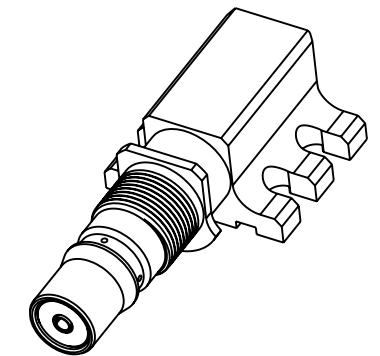
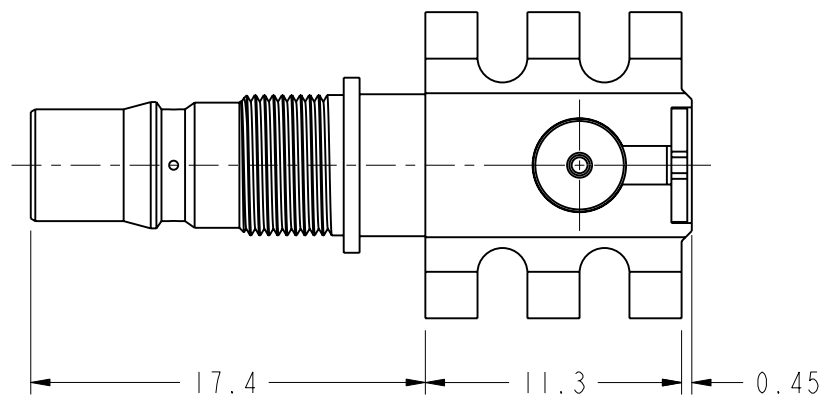
REVISIONS

REV	DESCRIPTION	DATE	ECO	APPR
A	RELEASE TO MFG.	10-Dec-12	02902	JJ

INSULATOR: BEFORE REFLOW 0.2±0.05
 AFTER REFLOW 0~0.25



RECOMMENDED PCB LAYOUT
 (FOR REF ONLY)



SCALE 2.000

CUSTOMER OUTLINE DRAWING

ALL OTHER SHEETS ARE FOR INTERNAL USE ONLY

UNLESS OTHERWISE SPECIFIED, DIMENSIONS ARE IN METRIC AND TOLERANCES ARE: 0.5 - 6mm ±0.1mm 6 - 30mm ±0.2mm 30 - 120mm ±0.3mm ANGLES ±1°	MATERIAL	DRAWN J. JI	DATE 13-Dec-12	TITLE QMA RECEPTACLE SURFACE MOUNT			Amphenol RF Danbury CT USA, Tainan, Taiwan, Shenzhen, China www.amphenolrf.com		
	REFERENCE	ENGINEER R. CHEN	DATE 13-Dec-12						
NOTICE - These drawings, specifications, or other data (1) are, and remain the property of Amphenol corp. (2) must be returned upon request; and (3) are confidential and not to be disclosed to any person other than those to whom they are given by Amphenol Corp. the furnishing of these drawings, specifications, or other data by Amphenol Corp., or to any other person to anyone for any purpose is not to be regarded by implication or otherwise in any manner licensing, granting rights to permitting such holder or any other sperson to manufacture, use or sell any product, process or design, patented or otherwise, that may in any way be related to or disclosed by said drawings, specifications, or other data.	FINISH	APPROVED D. HU	DATE 13-Dec-12	SCALE: 3.0:1.0	SHEET 2 OF 2	ITEM NO. 706252AADAIFT5F	PART NO. 930-167J-51A		
		CAD FILE I:\QMA\QMA625200-001-3GT30GL-50			DWG SIZE B	CODE ID 74868	REV A		