

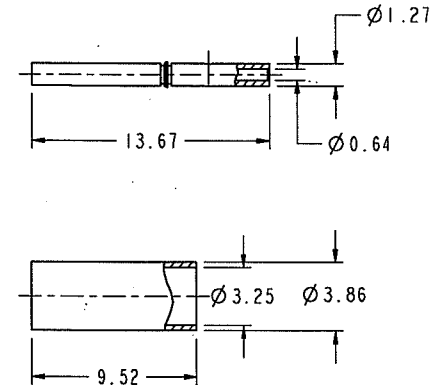
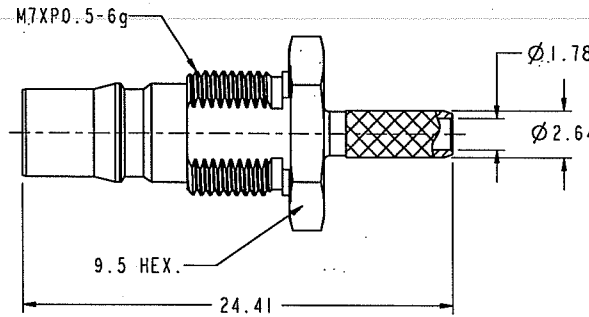
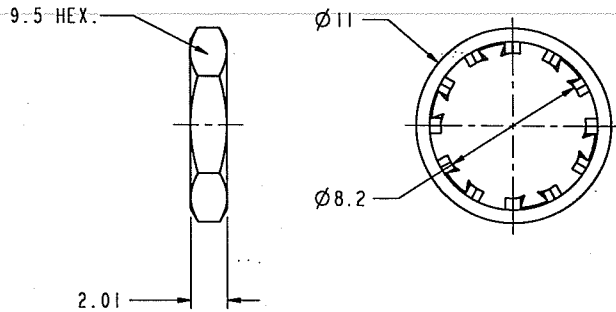
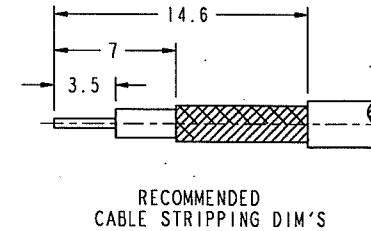
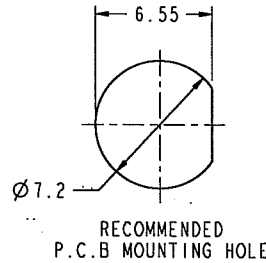
NOTES:

1. MATERIALS AND FINISHES (PLATING THICKNESS IN MICRO-INCHES):
 BODY - BRASS, ALBALOY PLATING
 CONTACT PIN - BERYLLIUM COPPER, GOLD PLATING
 INSULATOR - PTFE, NATURAL
2. ELECTRICAL:
 A. IMPEDANCE: 50 OHM
 B. FREQUENCY RANGE: DC 0-6 GHz
 C. DIELECTRIC WITHSTANDING VOLTAGE: 1000 VRMS, MIN.
3. MECHANICAL:
 A. DURABILITY: 500 CYCLES MIN.
 B. TEMPERATURE RANGE: - 65°C to 165°C
4. CRIMP USING TOOL 227-994, DIE SET.
 227-1221-03. CAVITY "A". 128 HEX.
 CONTACT PIN TO SOLDER
5. MAX. PANEL THICKNESS IS 3.7mm

THIRD ANGLE PROJ.

REVISIONS

REV	DESCRIPTION	DATE	ECO	APPR
A	RELEASE TO MFG.	30-Aug-07		TYZ



CUSTOMER OUTLINE DRAWING
 ALL OTHER SHEETS ARE FOR INTERNAL USE ONLY

UNLESS OTHERWISE SPECIFIED, DIMENSIONS ARE IN METRIC AND TOLERANCES ARE: 0.5 - 6mm ±0.1mm 6 - 30mm ±0.2mm 30 - 120mm ±0.3mm ANGLES ±1° NOTICE - These drawings, specifications, or other data (1) are, and remain the property of Amphenol Corp. (2) must be returned upon request; and (3) are confidential and not to be disclosed to any person other than those to whom they are given by Amphenol Corp. The furnishing of these drawings, specifications, or other data by Amphenol Corp., or to any other person to anyone for any purpose is not to be regarded by implication or otherwise in any manner licensing, granting rights to permitting such holder or any other person to manufacture, use or sell any product, process or design, patented or otherwise, that may in any way be related to or disclosed by said drawings, specifications, or other data.	MATERIAL REFERENCE FINISH	DRAWN <i>Touy</i> DATE 30-Aug-07 ENGINEER <i>ESD</i> DATE 1-Sep-07 APPROVED <i>ESD</i> DATE 1-Sep-07 CAD FILE	TITLE QMA JACK BULKHEAD TO LMR100	Amphenol RF Danbury CT USA, Tainan, Taiwan, Shenzhen, China www.amphenolrf.com		
		I:\QMA\QMA6421A1-AT30G-LMR100-50	SCALE: 3.5:1.0 SHEET 2 OF 2 DWG SIZE B CODE 10 74868 REV A	DRAWING NO. QMA6421A1-AT30G-LMR100-50 ITEM NO. 706421AAAA1AH5F PART NO.		