

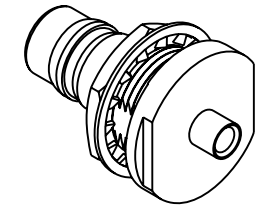
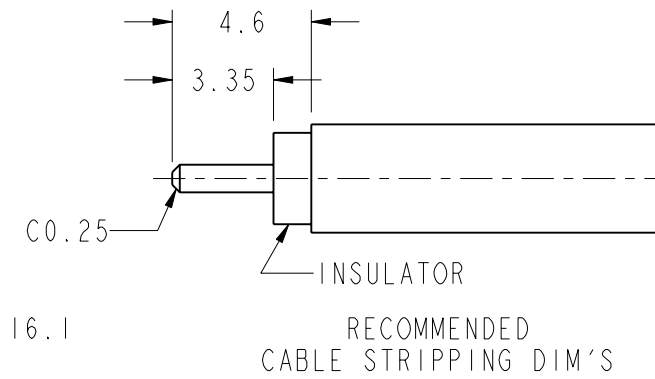
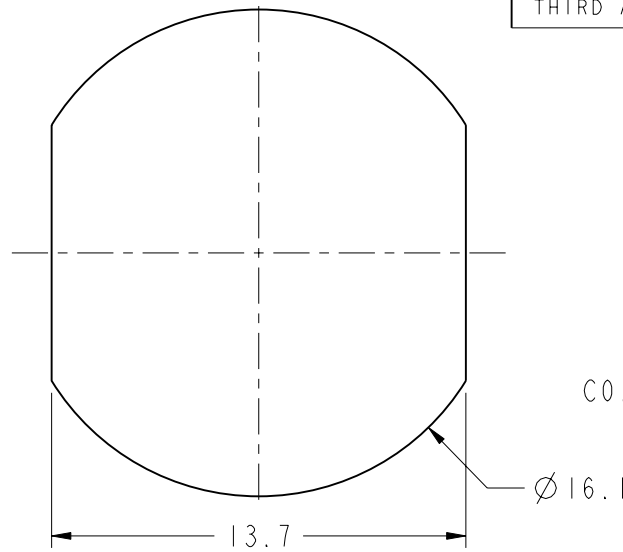
NOTES:

1. MATERIALS AND FINISHES: (PLATING THICKNESS IN MICRO-INCHES)  
 BODY - BRASS, ALBALOY PLATING.  
 CONTACT PIN - BERYLLIUM COPPER, GOLD PLATING.  
 INSULATOR - PTFE
2. ELECTRICAL:  
 A. IMPEDANCE: 50 OHM  
 B. FREQUENCY RANGE: DC 0-11 GHz  
 C. DIELECTRIC WITHSTANDING VOLTAGE: 1500 VRMS, MIN.
3. MECHANICAL:  
 A. DURABILITY: 100 CYCLES MIN.  
 B. TEMPERATURE RANGE: -40°C TO +125°C

THIRD ANGLE PROJ.

REVISIONS

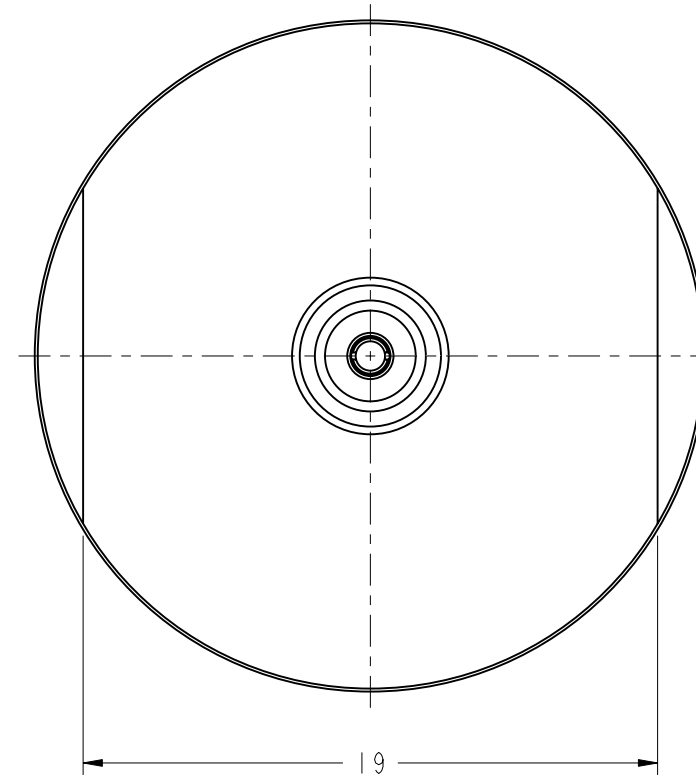
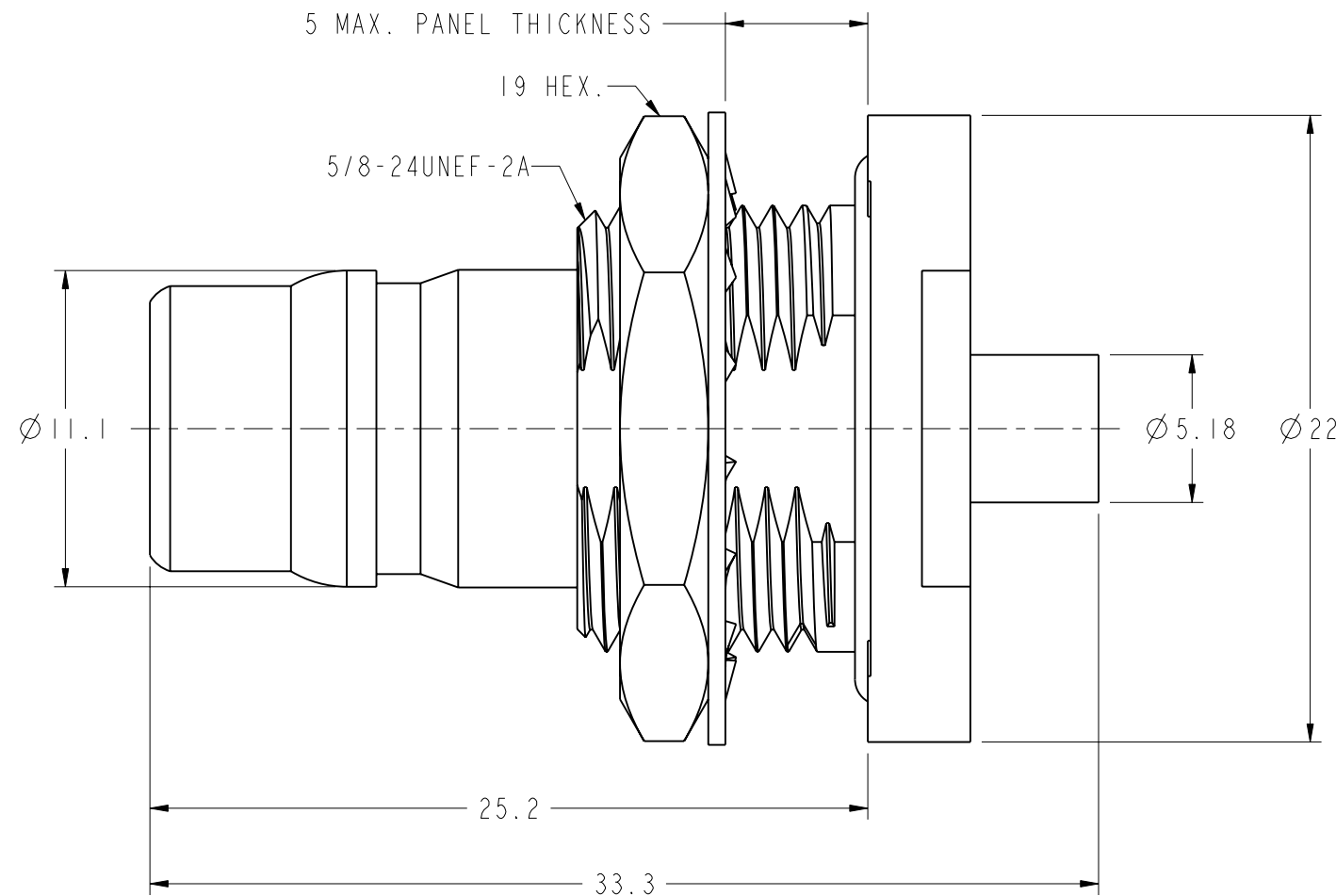
REV	DESCRIPTION	DATE	ECO	APPR
A	RELEASE TO MFG.	28-Dec-10	---	JH
B	THE LOCK WASHER WAS CHANGED\RD-DM12010403F	06-Mar-12		SH



SCALE 1.000

RECOMMENDED MOUNTING HOLE

RECOMMENDED CABLE STRIPPING DIM'S



**CUSTOMER OUTLINE DRAWING**

ALL OTHER SHEETS ARE FOR INTERNAL USE ONLY

UNLESS OTHERWISE SPECIFIED, DIMENSIONS ARE IN METRIC AND TOLERANCES ARE:  
 0.5 - 6mm ±0.1mm    6 - 30mm ±0.2mm    30 - 120mm ±0.3mm    ANGLES ±1°

NOTICE - These drawings, specifications, or other data (1) are, and remain the property of Amphenol corp. (2) must be returned upon request; and (3) are confidential and not to be disclosed to any person other than those to whom they are given by Amphenol Corp. the furnishing of these drawings, specifications, or other data by Amphenol Corp., or to any other person to anyone for any purpose is not to be regarded by implication or otherwise in any manner licensing, granting rights to permitting such holder or any other person to manufacture, use or sell any product, process or design, patented or otherwise, that may in any way be related to or disclosed by said drawings, specifications, or other data.

MATERIAL	-
REFERENCE	EAR#4131
FINISH	

DRAWN	L.QIN	DATE	17-Feb-12
ENGINEER	R.CHEN	DATE	28-Dec-10
APPROVED	S.HSIEH	DATE	17-Feb-12
CAD FILE	I:\QN\QN6481A1-001-AT30GA-50		

TITLE		
QN DIRECT SOLDER JACK FOR RG-402/U(.141 S.R.) CABLE		
SCALE: 4.0:1.0	SHEET 2 OF 2	
DWG SIZE B	CODE ID 74868	REV B

Amphenol RF	
Danbury CT USA, Tainan, Taiwan, Shenzhen, China www.amphenolrf.com	
DRAWING NO. QN6481A1-001-AT30GA-50	
ITEM NO. 716481AAA42AG5F	
PART NO.	