

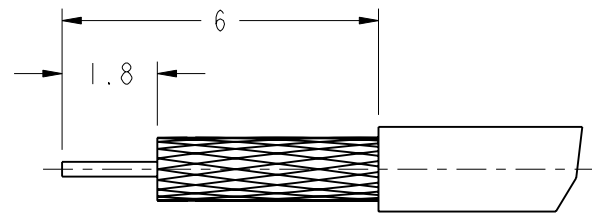
NOTES:

1. MATERIAL AND FINISH (PLATING THICKNESS IN MICRO-INCHES):  
 BODY - STAINLESS STEEL, PASSIVATED  
 CONTACT - BRASS, GOLD PLATING  
 INSULATOR - PTFE, NATURAL  
 HOUSING - STAINLESS STEEL, PASSIVATED
2. ELECTRICAL:  
 A. IMPEDANCE: 50 OHM  
 B. FREQUENCY RANGE: DC-26.5 GHz  
 C. VSWR: 1.15 MAX.  
 D. DIELECTRIC WITHSTANDING VOLTAGE: 375 VRMS MIN.  
 E. INSULATION RESISTANCE: 5000 OHMS MIN.
3. MECHANICAL:  
 A. TEMPERATURE RANGE: -65°C TO +150°C
4. CONTACT PIN TO SOLDER

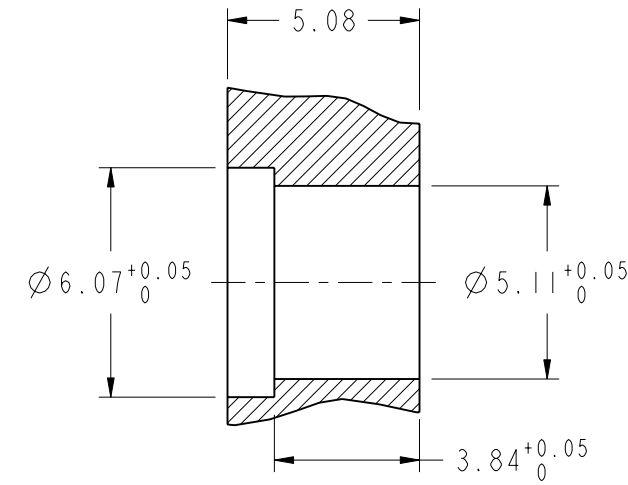
THIRD ANGLE PROJ.

REVISIONS

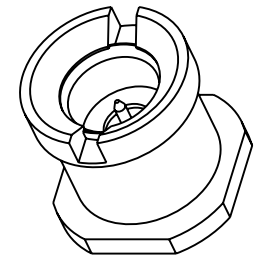
REV	DESCRIPTION	DATE	ECO	APPR
A	RELEASED TO MFG.	13-Sep-12		FW



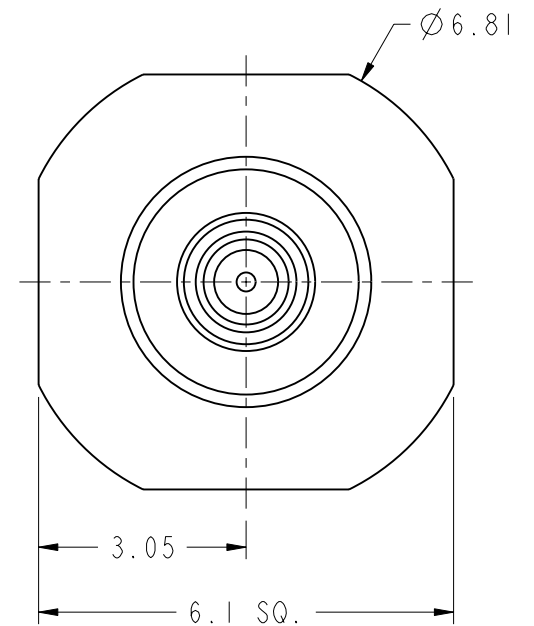
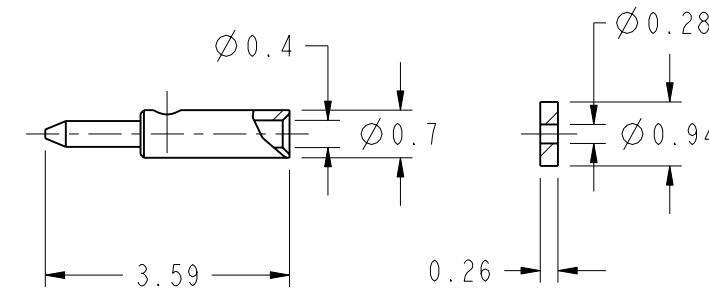
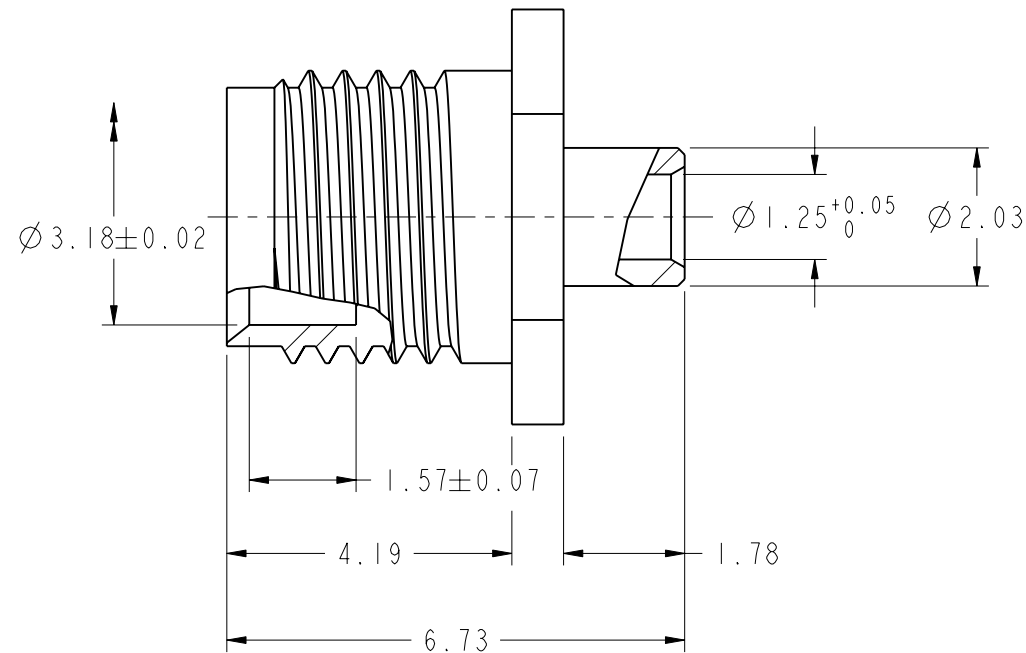
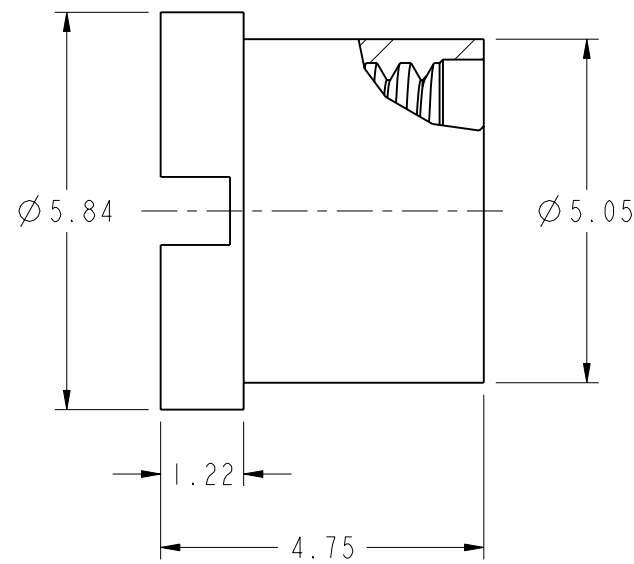
RECOMMENDED CABLE STRIPPING DIM'S



RECOMMENDED MOUNTING HOLE



SCALE 4.000



**CUSTOMER OUTLINE DRAWING**

ALL OTHER SHEETS ARE FOR INTERNAL USE ONLY

UNLESS OTHERWISE SPECIFIED, DIMENSIONS ARE IN METRIC AND TOLERANCES ARE:  
 0.5 - 6mm ±0.1mm    6 - 30mm ±0.2mm    30 - 120mm ±0.3mm    ANGLES ±1°

NOTICE - These drawings, specifications, or other data (1) are, and remain the property of Amphenol corp. (2) must be returned upon request; and (3) are confidential and not to be disclosed to any person other than those to whom they are given by Amphenol Corp. the finishing of these drawings, specifications, or other data by Amphenol Corp., or to any other person to anyone for any purpose is not to be regarded by implication or otherwise in any manner licensing, granting rights to permitting such holder or any other person to manufacture, use or sell any product, process or design, patented or otherwise, that may in any way be related to or disclosed by said drawings, specifications, or other data.

MATERIAL	DRAWN F. WANG	DATE 15-0ct-12	TITLE SMP BULKHEAD STRAIGHT PLUG (FOR .047 CABLE)		Amphenol RF Danbury CT USA, Tainan, Taiwan, Shenzhen, China www.amphenolrf.com
REFERENCE AND CONFIGURATION LEVEL: EAR #4897	ENGINEER FIGO	DATE 15-0ct-12	DRAWING NO. SMP1181A2-SXPT50G-.047-50		
FINISH	APPROVED S. HSIEH	DATE 15-0ct-12	SCALE: 7.0:1.0	SHEET 2 OF 2	ITEM NO. 371181AAB47PA5F
	CAD FILE I:/SMP/SMP1181A2-SXPT50G-047-50		DWG SIZE B	CODE ID 74868	REV A
					PART NO.