

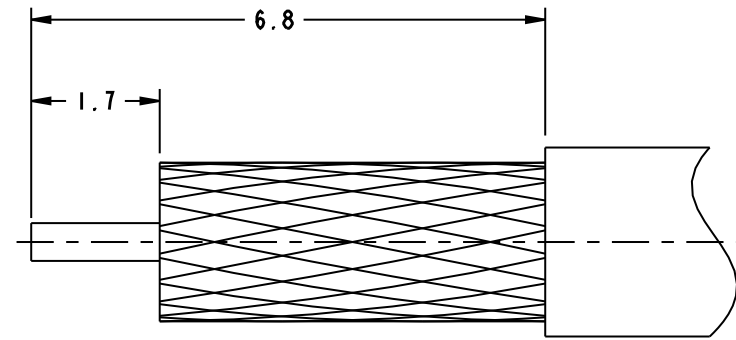
NOTES:

1. MATERIALS AND FINISHES  
 BODY : BERYLLIUM COPPER, GOLD PLATING  
 CONTACT : BERYLLIUM COPPER, GOLD PLATING  
 INSULATOR : PTFE, NATURAL
2. ELECTRICAL:  
 A. IMPEDANCE: 50 Ohm  
 B. DIELECTRIC WITHSTANDING VOLTAGE: 500 VRMS, MIN.
3. MECHANICAL:  
 A. DURABILITY:  
 FULL DETENT: 100 CYCLES  
 LIMITED DETENT: 500 CYCLES  
 SMOOTH BORE: 1000 CYCLES
4. ENVIRONMENTAL  
 A. TEMPERATURE RANGE: - 65°C to +165°C
5. CONTACT PIN TO SOLDER

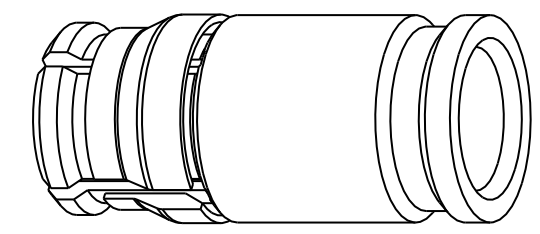
THIRD ANGLE PROJ.

REVISIONS

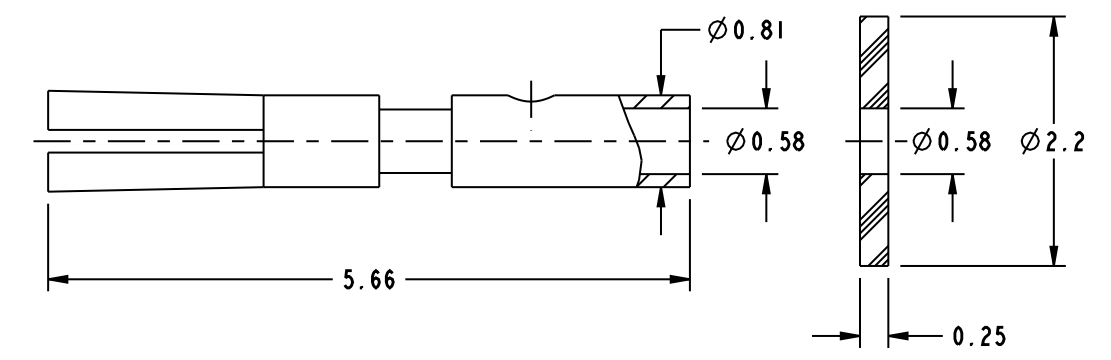
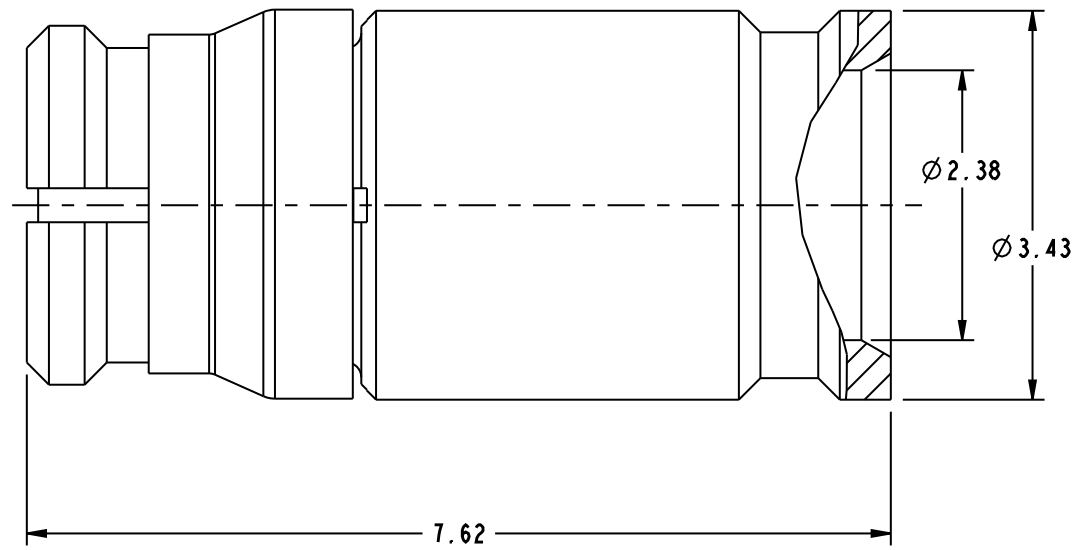
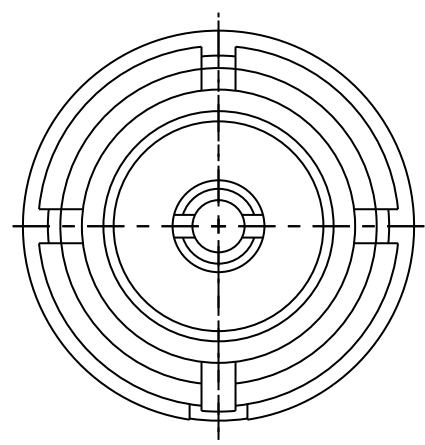
REV	DESCRIPTION	DATE	ECO	APPR
A	RELEASE TO MFG.	19-Jan-09	--	KL
B	INSULATOR WAS CHANGED/RD-DM09020201S1	9-Feb-09	--	SH
C	BODY AND INSULATOR WERE CHANGED/RD-DM041404S1	20-Apr-09	--	SH
D	ADD PART NO./RD-DM10111701F	18-Nov-10		SH



RECOMMENDED  
CABLE STRIPPING DIM'S



SCALE 8.000



**CUSTOMER OUTLINE DRAWING**

ALL OTHER SHEETS ARE FOR INTERNAL USE ONLY

<p>UNLESS OTHERWISE SPECIFIED, DIMENSIONS ARE IN METRIC AND TOLERANCES ARE:          &lt;0.5mm ±0.05mm    0.5 - 6mm ±0.1mm    6 - 30mm ±0.2mm    30 - 120mm ±0.3mm    ANGLES ±1°</p> <p>NOTICE - These drawings, specifications, or other data (1) are, and remain the property of Amphenol corp. (2) must be returned upon request; and (3) are confidential and not to be disclosed to any person other than those to whom they are given by Amphenol Corp. The furnishing of these drawings, specifications, or other data by Amphenol Corp., or to any other person to anyone for any purpose is not to be regarded by implication or otherwise in any manner licensing, granting rights to permitting such holder or any other person to manufacture, use or sell any product, process or design, patented or otherwise, that may in any way be related to or disclosed by said drawings, specifications, or other data.</p>	MATERIAL	DRAWN F. WANG	DATE 18-Nov-10	<p>TITLE SMP STRAIGHT JACK (FOR .085, .086, HFE100D, RG-405-UJ CALBE)</p>	<p>Amphenol RF Danbury CT USA, Tainan, Taiwan, Shenzhen, China www.amphenolrf.com</p>	
	REFERENCE EAR02709 SMP-FS-C07.048-12-005	ENGINEER C. WANG	DATE 19-Jan-09			SCALE: 15.0:1.0 SHEET 2 OF 2
	FINISH	APPROVED S. HSIEH	DATE 20-Apr-09	DWG SIZE B	REV D	DRAWING NO. SMP6181B1-002-3GT30G-50
			I:/SMP/SMP6181B1-002-3GT3G-50			ITEM NO. 376181AAA45GB5F PART NO. SMP-FS-C07-R