

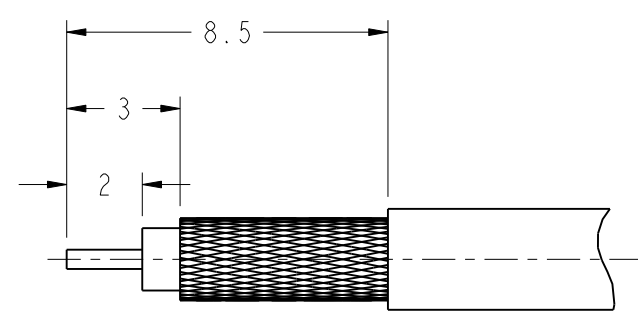
NOTES:

1. MATERIALS AND FINISHES
 BODY - BERYLLIUM COPPER & BRASS, GOLD PLATING
 CONTACT - BERYLLIUM COPPER, GOLD PLATING
 INSULATOR - PTFE
2. ELECTRICAL:
 A. IMPEDANCE: 50 OHM
 B. FREQUENCY RANGE: DC-3 GHz
 . DIELECTRIC WITHSTANDING VOLTAGE: 500 VRMS, MIN.
3. MECHANICAL:
 A. DURABILITY:
 FULL DETENT: 100 CYCLES
 LIMITED DETENT: 500 CYCLES
 SMOOTH BORE: 1000 CYCLES
 B. TEMPERATURE RANGE: -65° C TO +165° C

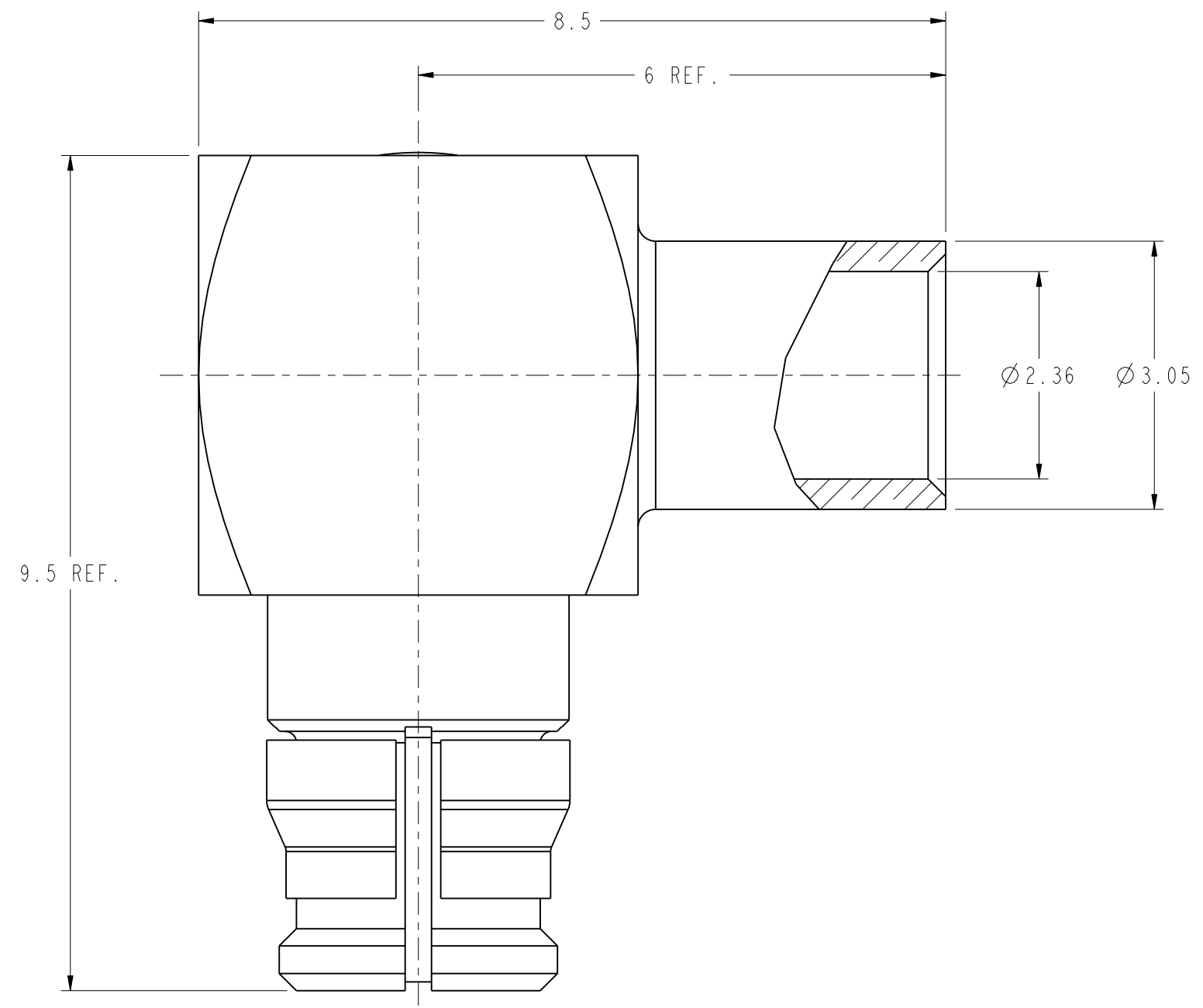
THIRD ANGLE PROJ.

REVISIONS

REV	DESCRIPTION	DATE	ECO	APPR
A	RELEASE TO MFG.	03-Feb-09	--	SH
B	INSULATOR WAS CHANGED	20-Apr-09	--	SH
C	THE PART NO. SMP-FR-CO7-R WAS ADDED	18-Jun-09	--	SH
D	PART NO. WAS CHANGED/RD-DM09111701SI	25-Nov-09	--	SH
E	REMOVED PART NO.	06-Dec-12	--	SH



RECOMMENDED
CABLE STRIPPING DIM'S



CUSTOMER OUTLINE DRAWING
ALL OTHER SHEETS ARE FOR INTERNAL USE ONLY

UNLESS OTHERWISE SPECIFIED, DIMENSIONS ARE IN METRIC AND TOLERANCES ARE: <0.5mm ±0.05mm 0.5 - 6mm ±0.1mm 6 - 30mm ±0.2mm 30 - 120mm ±0.3mm ANGLES ±1°	MATERIAL	DRAWN T. DENG	DATE 06-Dec-12	TITLE SMP RIGHT ANGLE JACK FOR .085, .086, RG-405- UJ, HFE100D CABLE	Amphenol RF www.amphenolrf.com
	REFERENCE EAR# 3051	ENGINEER S. LI	DATE 06-Dec-12		
NOTICE - These drawings, specifications, or other data (1) are, and remain the property of Amphenol corp. (2) must be returned upon request; and (3) are confidential and not to be disclosed to any person other than those to whom they are given by Amphenol Corp. the finishing of these drawings, specifications, or other data by Amphenol Corp., or to any other person to anyone for any purpose is not to be regarded by implication or otherwise in any manner licensing, granting rights to permitting such holder or any other sperson to manufacture, use or sell any product, process or design, patented or otherwise, that may in any way be related to or disclosed by said drawings, specifications, or other data.	CONFIGURATION LEVEL:	APPROVED S. HSIEH	DATE 06-Dec-12	SCALE: 15.0:1.0 SHEET 2 OF 2	ITEM NO. 376182AAA45GB5F
	FINISH	I:\SMP\SMP6182A1-001-3GT3G-50	CAD FILE	DWG SIZE B	REV E