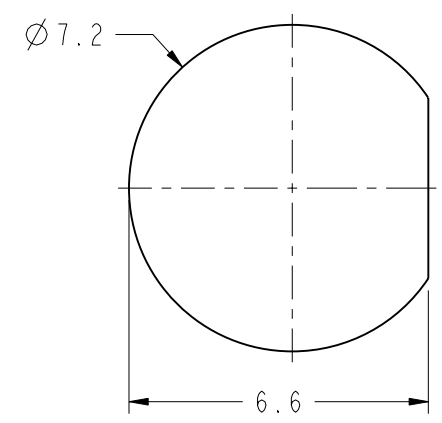


NOTES:

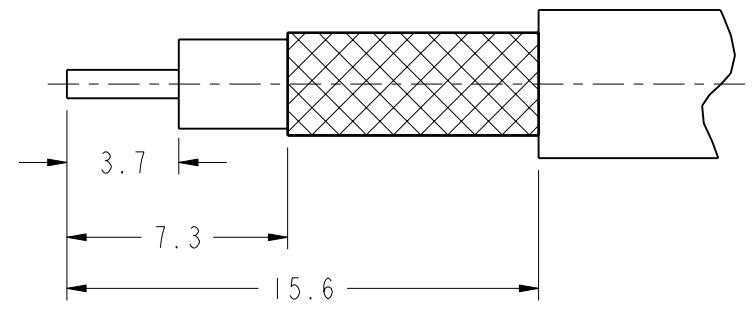
- MATERIALS AND FINISHES: (PLATING THICKNESS IN MICRO-INCHES)  
 BODY, LOCK WASHER, NUT, FERRULE - BRASS, ALBALOY PLATING.  
 CONTACT - BERYLLIUM COPPER, GOLD PLATING.  
 INSULATOR - PTFE, NATURAL
- ELECTRICAL:  
 A. IMPEDANCE: 50 OHM  
 B. FREQUENCY RANGE: DC - 6 GHz  
 C. DIELECTRIC WITHSTANDING VOLTAGE: 1000 VRMS, MIN.
- MECHANICAL:  
 A. DURABILITY: 100 CYCLES MIN.  
 B. TEMPERATURE RANGE: -40° C TO +85° C  
 C. PANEL 'S LAYOUT THICKNESS 2.5MM MAX.
- CONTCT, FERRULE, LOCK WASHER AND NUT ARE PACKAGE LOOSE

THIRD ANGLE PROJ.

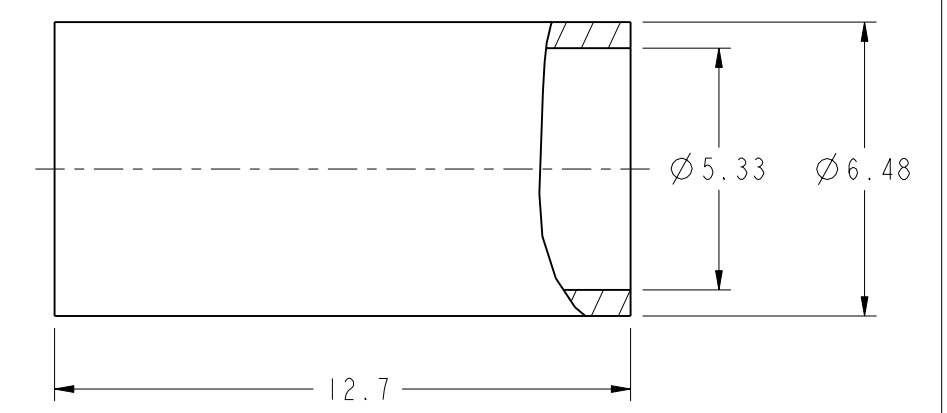
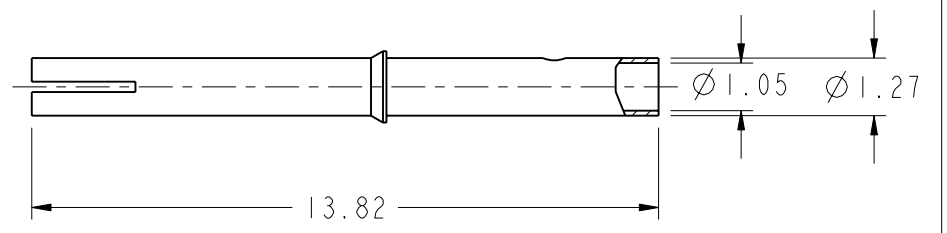
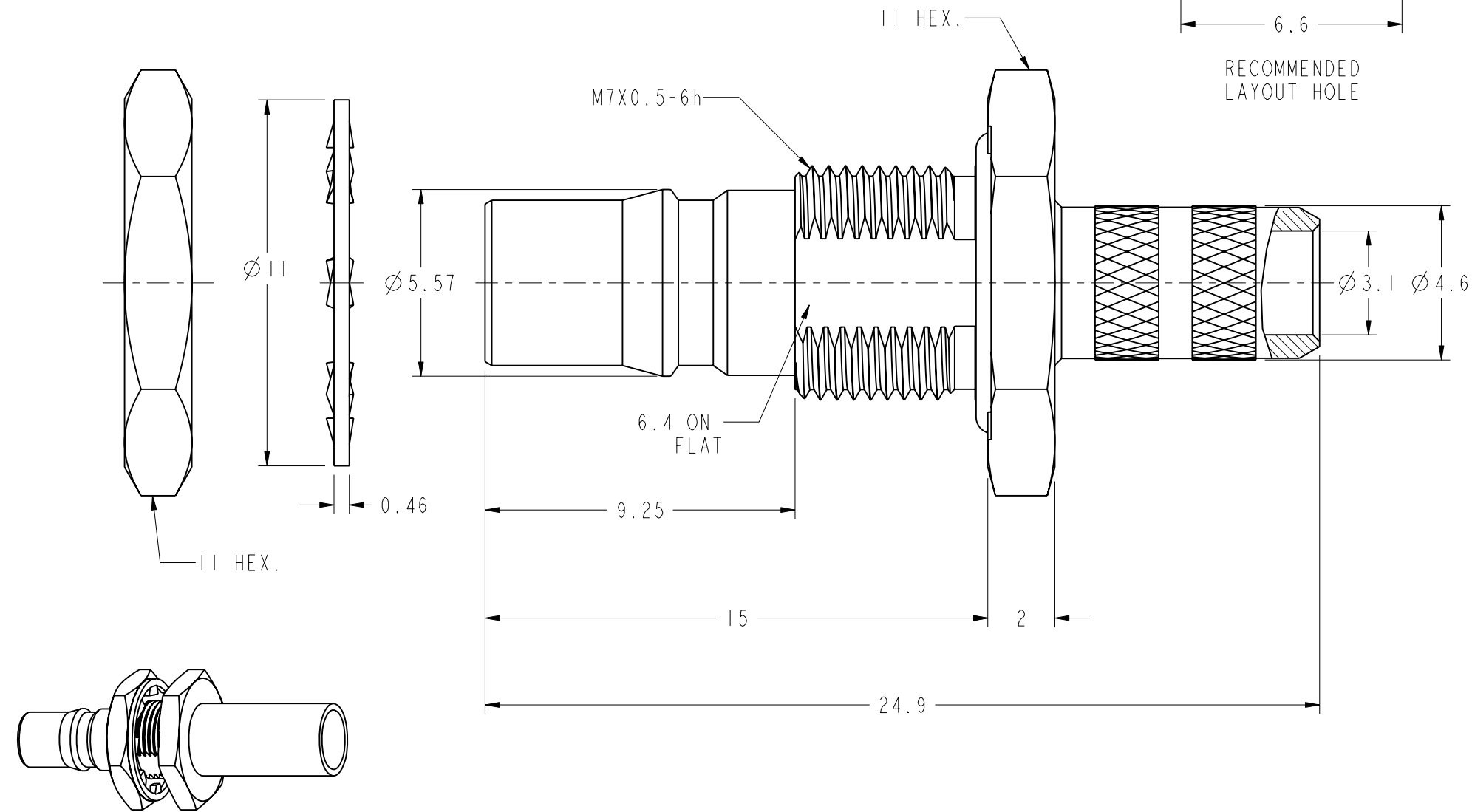
REVISIONS				
REV	DESCRIPTION	DATE	ECO	APPR
I	PRELIMINARY RELEASE	27-Nov-17		KZ



RECOMMENDED LAYOUT HOLE



RECOMMENDED CABLE STRIPPING DIM'S



**CUSTOMER OUTLINE DRAWING**  
 ALL OTHER SHEETS ARE FOR INTERNAL USE ONLY

UNLESS OTHERWISE SPECIFIED, DIMENSIONS ARE IN METRIC AND TOLERANCES ARE: <0.5mm ± 0.05mm    0.5 - 6mm ± 0.1mm    6 - 30mm ± 0.2mm    30 - 120mm ± 0.3mm    ANGLES ± 1°	MATERIAL	DRAWN K.ZHANG	DATE 27-Nov-17	TITLE QMA JACK BULKHEAD FOR RG-141, 58/U CABLE	Amphenol RF www.amphenolrf.com	
	REFERENCE EAR: 08099	ENGINEER	DATE			DRAWING NO. QMA6411A1-003-AT30GA-50
	FINISH	APPROVED	DATE	SCALE: 7.0:1.0	SHEET 2 OF 2	ITEM NO. 706411AAH58AG5F
		CAD FILE		DWG SIZE B	REV I	PART NO.