

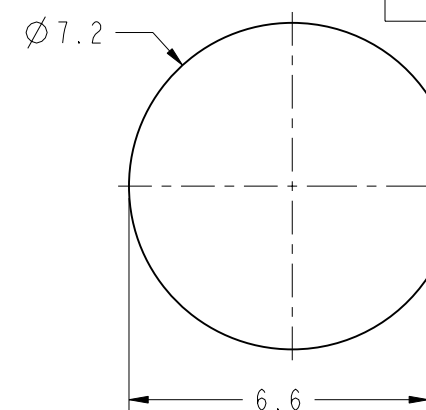
NOTES:

1. MATERIALS AND FINISHES: (PLATING THICKNESS IN MICRO-INCHES)
 BODY, LOCK WASHER, NUT, FERRULE - BRASS, ALBALOY PLATING.
 CONTACT - BERYLLIUM COPPER, GOLD PLATING.
 INSULATOR - PTFE, NATURAL
2. ELECTRICAL:
 A. IMPEDANCE: 50 OHM
 B. FREQUENCY RANGE: DC - 6 GHz
 C. DIELECTRIC WITHSTANDING VOLTAGE: 1000 VRMS, MIN.
3. MECHANICAL:
 A. DURABILITY: 100 CYCLES MIN.
 B. TEMPERATURE RANGE: -40° C TO +85° C
 C. PANEL'S LAYOUT THICKNESS 2.5MM MAX.
4. CONTCT, FERRULE, LOCK WASHER AND NUT ARE PACKAGE LOOSE

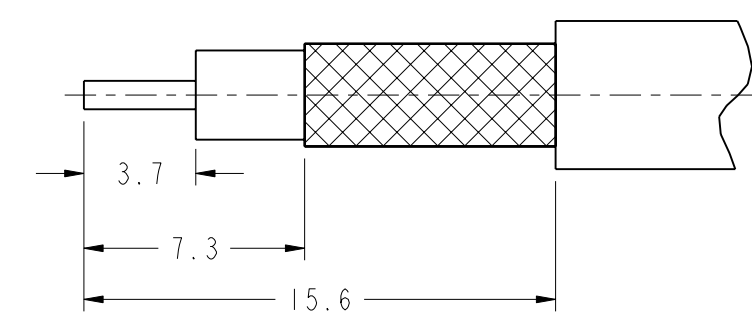
THIRD ANGLE PROJ.

REVISIONS

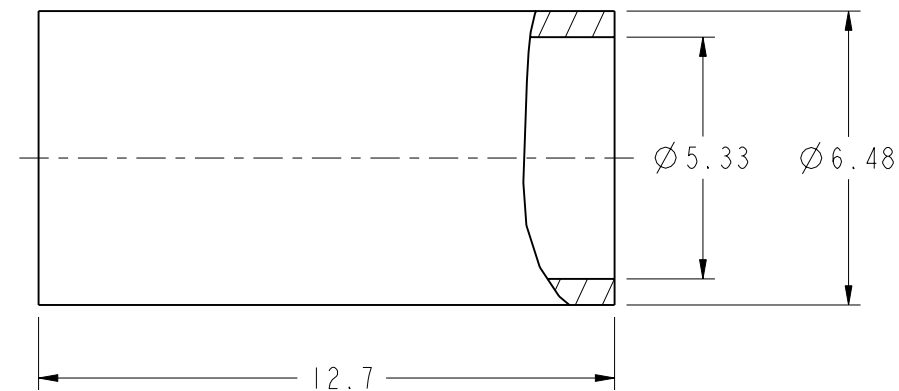
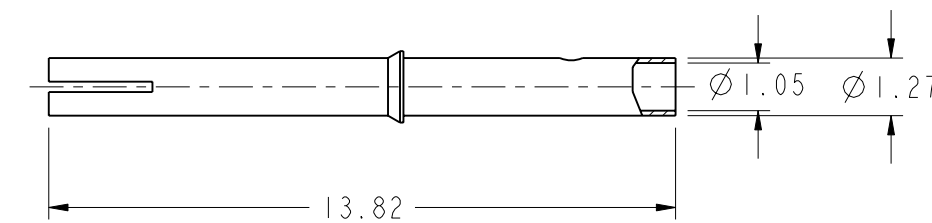
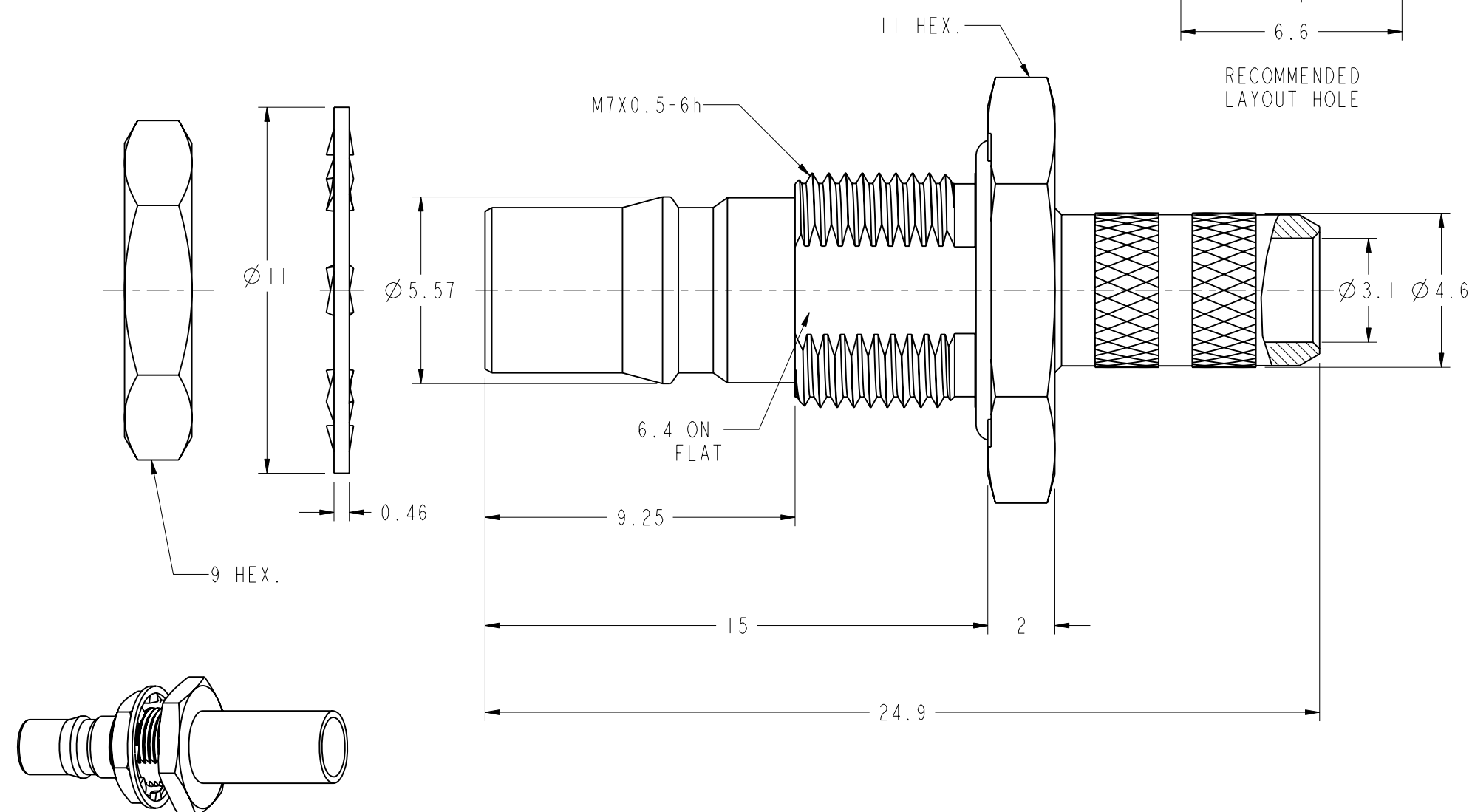
REV	DESCRIPTION	DATE	ECO	APPR
1	PRELIMINARY RELEASE	27-Nov-17		KZ
2	CHANGED DRAWING NO. AND ITEM NO. CHANGED NUT 11 HEX. TO 9 HEX.	30-Nov-17		KZ



RECOMMENDED LAYOUT HOLE



RECOMMENDED CABLE STRIPPING DIM'S



CUSTOMER OUTLINE DRAWING
ALL OTHER SHEETS ARE FOR INTERNAL USE ONLY

<p>UNLESS OTHERWISE SPECIFIED, DIMENSIONS ARE IN METRIC AND TOLERANCES ARE: <0.5mm ± 0.05mm 0.5 - 6mm ± 0.1mm 6 - 30mm ± 0.2mm 30 - 120mm ± 0.3mm ANGLES ± 1°</p> <p>NOTICE - These drawings, specifications, or other data (1) are, and remain the property of Amphenol corp. (2) must be returned upon request; and (3) are confidential and not to be disclosed to any person other than those to whom they are given by Amphenol Corp. the furnishing of these drawings, specifications, or other data by Amphenol Corp., or to any other person to anyone for any purpose is not to be regarded by implication or otherwise in any manner licensing, granting rights to permitting such holder or any other person to manufacture, use or sell any product, process or design, patented or otherwise, that may in any way be related to or disclosed by said drawings, specifications, or other data.</p>	MATERIAL	DRAWN	DATE	TITLE	<p>Amphenol RF www.amphenolrf.com</p>	
		K.ZHANG	30-Nov-17			QMA JACK BULKHEAD FOR RG-141, 58/U CABLE
	REFERENCE	ENGINEER	DATE	SCALE: 7.0:1.0		SHEET 2 OF 2
	EAR: 08099	APPROVED	DATE	DWG SIZE B		REV 2
FINISH	CAD FILE				DRAWING NO. QMA6411A1-003-AT5GP-50	
					ITEM NO. 706411AAH58CP5F	
					PART NO.	