

NOTES: FINISH (PLATING THICKNESS IN MICRO-INCHES)

THIRD ANGLE PROJ.

REVISIONS

REV	DESCRIPTION	DATE	ECO	APPR
1	PRELIMINARY RELEASE	18-Jan-10		LL

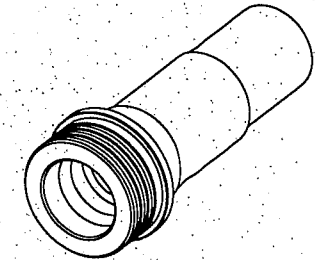
1. PLATING PER AMPHENOL SPEC. 349-50560. (FOR USA)  
 PLATING PER KAI JACK SPEC. EP-SS-9700 (FOR CHINA)

SUMMARY:

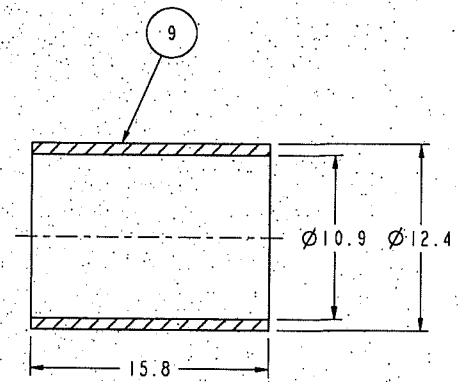
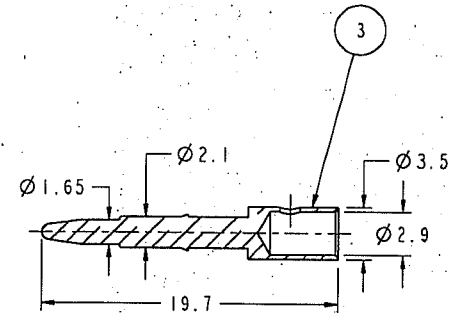
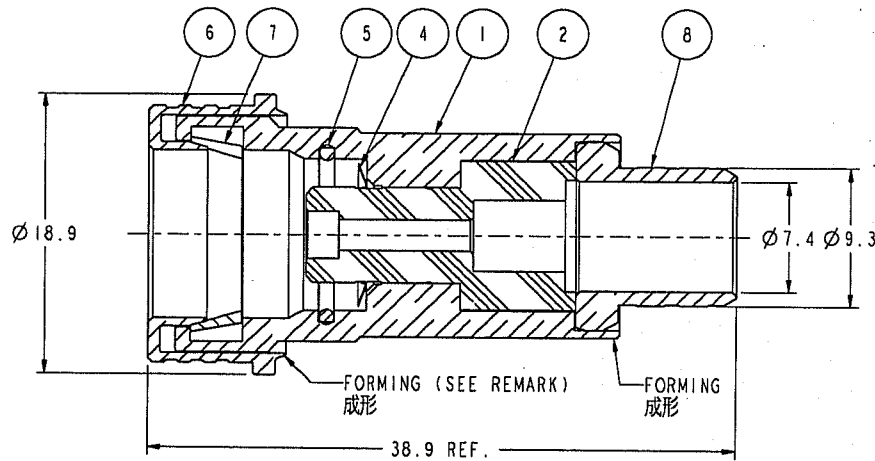
FR-124/109X158	ALBALOY PLATING (COPPER-TIN-ZINC) PL. 80 MIN. THICK
N5000-3-93/74-B	ALBALOY PLATING (COPPER-TIN-ZINC) PL. 80 MIN. THICK
90-10005	ALBALOY PLATING (COPPER-TIN-ZINC) PL. 80 MIN. THICK
90-10003	ALBALOY PLATING (COPPER-TIN-ZINC) PL. 80 MIN. THICK
90-10004	ALBALOY PLATING (COPPER-TIN-ZINC) PL. 80 MIN. THICK
CP71---	GOLD PL. 5 MIN. THICK OVER PHOSPHORUS CONTENT 9%-13%
BD71---	ALBALOY PLATING (COPPER-TIN-ZINC) PL. 80 MIN. THICK

ELECTROLESS NICKEL PL. 100 MIN. THICK

REMARK: COUPLING NUT (ITEM 6) MUST TURN FREELY AFTER FORMING AND RESIST A 100 LBS. MINIMUM AXIAL PULL & DO NOT BREAK THRU PLATING  
 (成形后 ITEM 6 能自由轉動, 必須承受得起 100 LBS. 的軸向力且不能破壞電鍍)



SCALE 1:500



PART NUMBER	QTY.	ITEM	DESCRIPTION	FINISH	MATERIAL
FR-124/109X158	1	9	FERRULE	NOTE 1	BRASS
N5000-3-93/74-B	1	8	BARREL	NOTE 1	BRASS
90-10005	1	7	SPRING RING	NOTE 1	BRASS
90-10003	1	6	COUPLING NUT	NOTE 1	BRASS
90-10006	1	5	O-RING	BLACK	EPDM
90-10004	1	4	WASHER	NOTE 1	BERYLLIUM COPPER
CP71---	1	3	CONTACT PIN	NOTE 1	BRASS
NS71---	1	2	INSULATOR	NATURAL	PTFE
BD71---	1	1	BODY	NOTE 1	BRASS

UNLESS OTHERWISE SPECIFIED, DIMENSIONS ARE IN METRIC AND TOLERANCES ARE:  
 0.5 - 6mm  $\pm 0.1$ mm  
 6 - 30mm  $\pm 0.2$ mm  
 30 - 120mm  $\pm 0.3$ mm  
 ANGLES  $\pm 1^\circ$

NOTICE - These drawings, specifications, or other data (1) are, and remain the property of Amphenol Corp. (2) must be returned upon request; and (3) are confidential and not to be disclosed to any person other than those to whom they are given by Amphenol Corp. The furnishing of these drawings, specifications, or other data by Amphenol Corp., or to any other person to anyone for any purpose is not to be regarded by implication or otherwise in any manner licensing, granting rights to permitting such holder or any other person to manufacture, use or sell any product, process or design, patented or otherwise, that may in any way be related to or disclosed by said drawings, specifications, or other data.

MATERIAL

REFERENCE

FINISH

DRAWN L.L.I

ENGINEER Edward

APPROVED Andy

CAD FILE 1:\QV\QV1121A1-AT5GP-LMR400-50

DATE 18-Jan-10

DATE 01-2010

TITLE: QN PLUG (FOR LMR400 CABLE)

SCALE: 3.0:1.0

DWG SIZE B

SHEET 1 OF 2

CODE ID 74868

REV 1

Amphenol RF  
 Danbury CT, USA, Tainan, Taiwan, Shenzhen, China  
 www.amphenolrf.com

DRAWING NO. QN1121A1-AT5GP-LMR400-50

ITEM NO. 711121AAA40CP5F

PART NO.

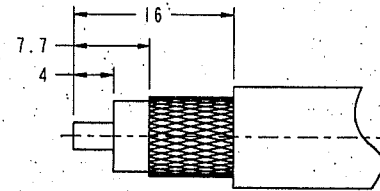
NOTES:

1. MATERIALS AND FINISHES:  
 BODY - BRASS, ALBALOY PLATING  
 CONTACT - BRASS, GOLD PLATING  
 INSULATOR - PTFE, NATURAL
2. ELECTRICAL:  
 A. IMPEDANCE: 50 OHM  
 B. FREQUENCY RANGE: DC - 11 GHz  
 C. DIELECTRIC WITHSTANDING VOLTAGE: 2500 VRMS, MIN.
3. MECHANICAL:  
 A. DURABILITY: 100 CYCLES MIN.  
 B. TEMPERATURE RANGE: -40°C TO +125°C
4. CRIMPED FERRULE  
 HEX CRIMP SIZE ".429"
5. CRIMPED CONTACT PIN  
 HEX CRIMP SIZE ".116"

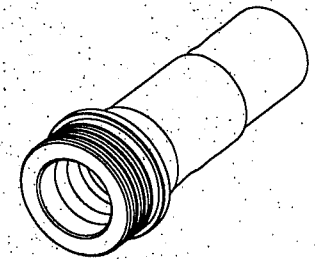
THIRD ANGLE PROJ.

REVISIONS

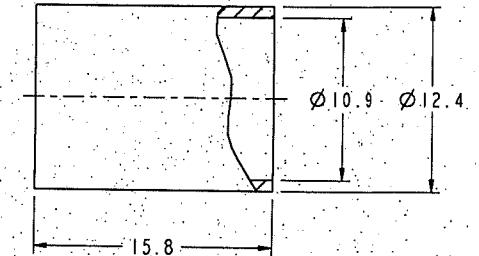
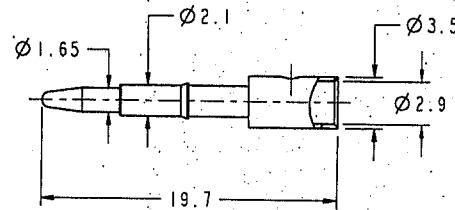
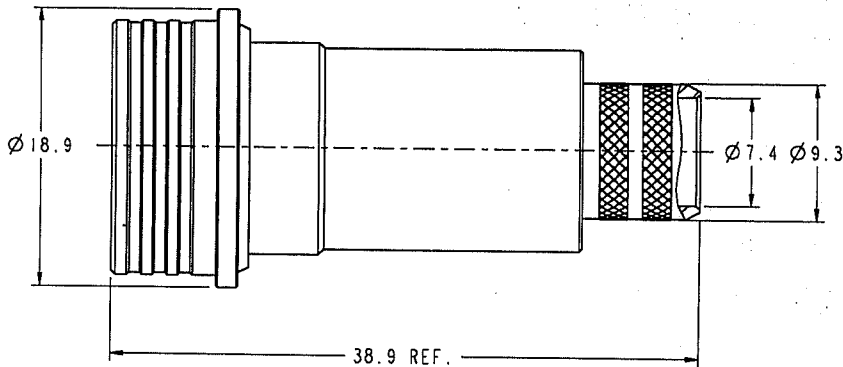
REV	DESCRIPTION	DATE	ECO	APPR
1	PRELIMINARY RELEASE	18-Jan-10		LL



RECOMMENDED  
CABLE STRIPPING DIM'S



SCALE 1.500



**CUSTOMER OUTLINE DRAWING**

ALL OTHER SHEETS ARE FOR INTERNAL USE ONLY

UNLESS OTHERWISE SPECIFIED, DIMENSIONS ARE IN METRIC AND TOLERANCES ARE: 0.5 - 6mm ±0.1mm    6 - 30mm ±0.2mm    30 - 120mm ±0.3mm    ANGLES ±1°  NOTICE - These drawings, specifications, or other data (1) are, and remain the property of Amphenol Corp. (2) must be returned upon request; and (3) are confidential and not to be disclosed to any person other than those to whom they are given by Amphenol Corp. The furnishing of these drawings, specifications, or other data by Amphenol Corp., or to any other person in any manner, licensing, granting rights to permitting such holder or any other person to manufacture, use or sell any product, process or design, patented or otherwise, that may in any way be related to or disclosed by said drawings, specifications, or other data.	MATERIAL	DRAWN L.L.I	DATE 18-Jan-10	TITLE QN PLUG (FOR LMR400 CABLE)			Amphenol RF Danbury, CT USA, Tainan, Taiwan, Shenzhen, China www.amphenolrf.com
	REFERENCE	ENGINEER Edward	DATE 18-Jan-10	DRAWING NO. QN1121A1-AT5GP-LMR400-50			
	FINISH	APPROVED Andy C	DATE 01-20-10	SCALE: 3.0:1.0	SHEET 2 OF 2	ITEM NO. 711121AAA40CP5F	
			CAD FILE I:\NON\QN1121A1-AT5GP-LMR400-50	DWG SIZE B	CODE ID 74868	REV 1	PART NO.