

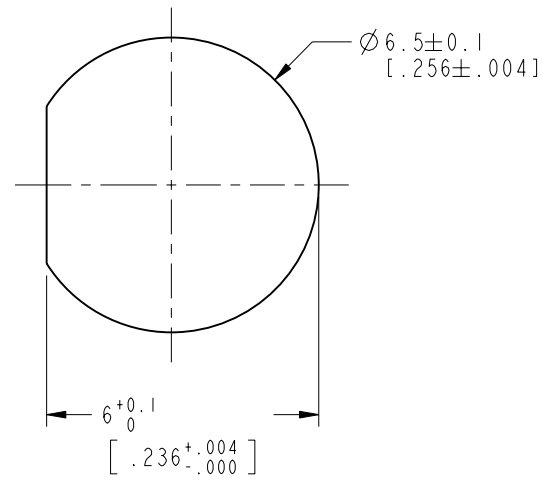
NOTES:

1. MATERIAL AND FINISHES:
 BODY - BRASS, ALBALOY PLATING
 CONTACT - BERYLLIUM COPPER, GOLD PLATING
 INSULATOR - PTFE, NATURAL
2. ELECTRICAL:
 A. IMPEDANCE: 50 OHM
 B. FREQUENCY RANGE: DC TO 18 GHz.
 C. VSWR(RETURN LOSS): 1.3 MAX.
 D. DIELECTRIC WITHSTANDING VOLTAGE:1000 VRMS. MIN.
3. MECHANICAL:
 A. DURABILITY:
 100 CYCLES MIN. FOR QMA SIDE
 500 CYCLES MIN. FOR SMA SIDE
 B. TEMPERATURE RANGE: -65°C TO +165°C

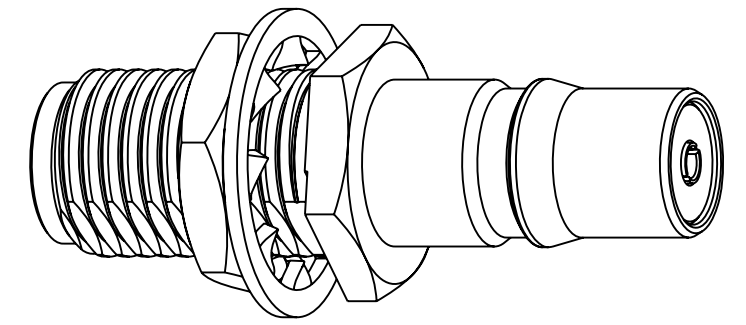
THIRD ANGLE PROJ.

REVISIONS

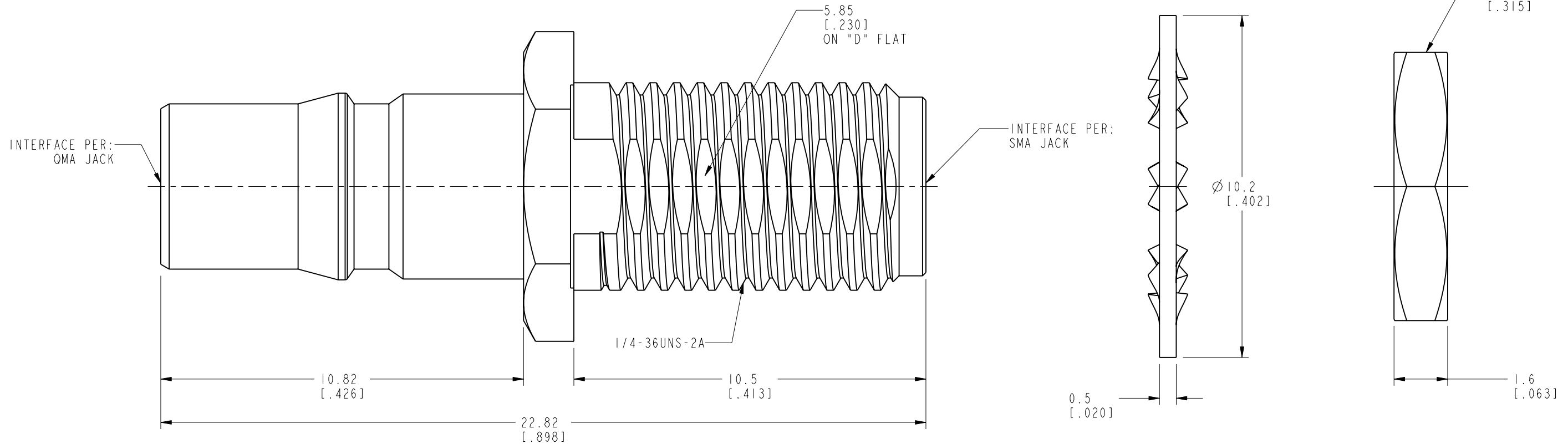
| REV | DESCRIPTION | DATE | ECO | APPR |
|-----|-----------------|-----------|-----|------|
| A | RELEASE TO MFG. | 08-Nov-13 | | TD |



SCALE 6.000
 RECOMMENDED
 MOUNTING HOLE DIM'S



SCALE 4.000



CUSTOMER OUTLINE DRAWING
 ALL OTHER SHEETS ARE FOR INTERNAL USE ONLY

UNLESS OTHERWISE SPECIFIED, DIMENSIONS ARE IN METRIC AND TOLERANCES ARE:
 <0.5mm ±0.05mm 0.5 - 6mm ±0.1mm 6 - 30mm ±0.2mm 30 - 120mm ±0.3mm ANGLES ±1°

NOTICE - These drawings, specifications, or other data (1) are, and remain the property of Amphenol corp. (2) must be returned upon request; and (3) are confidential and not to be disclosed to any person other than those to whom they are given by Amphenol Corp. the finishing of these drawings, specifications, or other data by Amphenol Corp., or to any other person to anyone for any purpose is not to be regarded by implication or otherwise in any manner licensing, granting rights to permitting such holder or any other person to manufacture, use or sell any product, process or design, patented or otherwise, that may in any way be related to or disclosed by said drawings, specifications, or other data.

| | | | | | |
|----------|------------------------|---------------------------------|--|---|-------------------------------|
| MATERIAL | DRAWN T. DENG | DATE 08-Nov-13 | TITLE QMA JACK TO SMA JACK ADAPTOR | Amphenol RF Danbury CT USA, Tainan, Taiwan, Shenzhen, China www.amphenolrf.com | |
| | ENGINEER R. CHEN | DATE 08-Nov-13 | | | |
| | REFERENCE EAR:05829 | APPROVED S. HSIEH | DATE 08-Nov-13 | | SCALE: 8.0:1.0 SHEET 2 OF 2 |
| | FINISH | I:\ADAPTOR\SMFAF-QMAF4-AT5GP-50 | | | DWG SIZE B |
| | | | REV A | DRAWING NO. SMFAF-QMAF4-AT5GP-50 | |
| | | | | ITEM NO. IIF-70F4-CP-5-F | |
| | | | | PART NO. | |