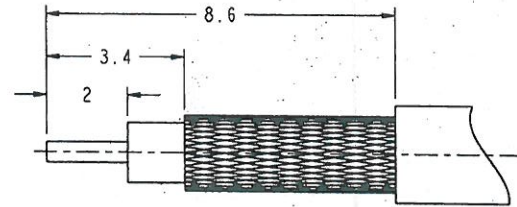


THIRD ANGLE PROJ

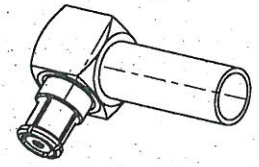
REVISIONS

- NOTES:
- MATERIAL AND FINISH (PLATING THICKNESS IN MICRO-INCHES):  
 BODY - BERYLLIUM COPPER, GOLD PLATING  
 CONTACT - BERYLLIUM COPPER, GOLD PLATING  
 INSULATOR - PTFE, NATURAL
  - ELECTRICAL:  
 A. IMPEDANCE: 50 OHM  
 B. DIELECTRIC WITHSTANDING VOLTAGE: 500 VRMS. MIN.
  - MECHANICAL:  
 A. DURABILITY: 500 CYCLES MIN.  
 B. TEMPERATURE RANGE: -65°C TO +165°C
  - CRIMPED FERRULE  
 HEX CRIMP SIZE .128"
  - CONTACT PIN TO SOLDER

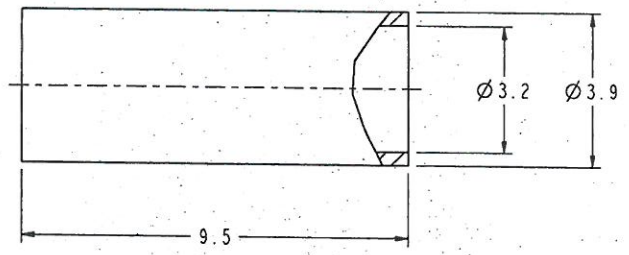
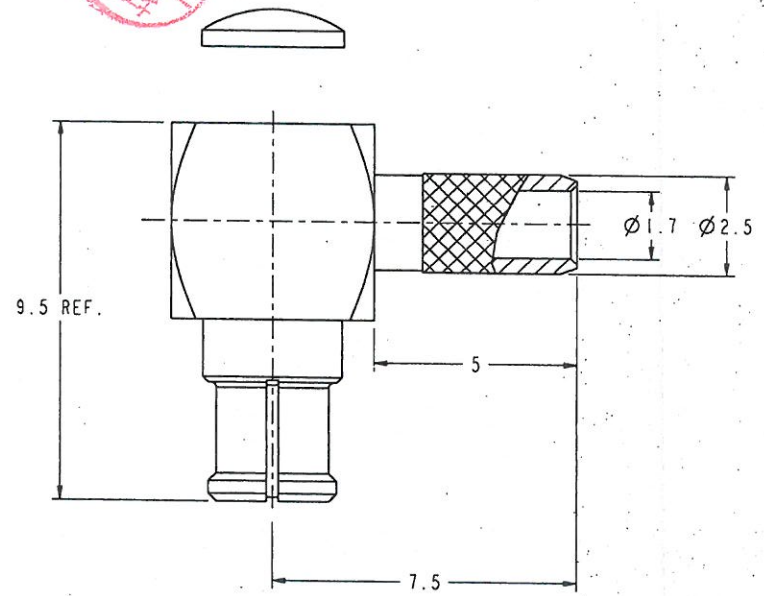
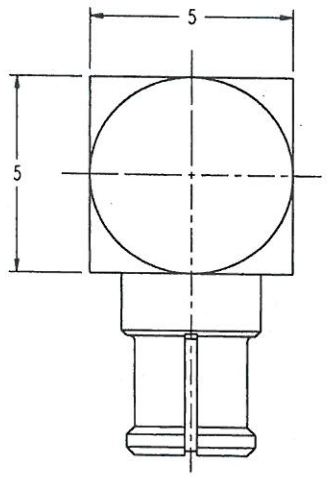
REV	DESCRIPTION	DATE	ECO	APPR
1	PRELIMINARY RELEASE	27-May-09		LL
2	SEE SHEET 1	16-Jun-09		LL



RECOMMENDED  
CABLE STRIPPING DIM'S



SCALE 3.000



**CUSTOMER OUTLINE DRAWING**  
ALL OTHER SHEETS ARE FOR INTERNAL USE ONLY

UNLESS OTHERWISE SPECIFIED, DIMENSIONS ARE IN METRIC AND TOLERANCES ARE: 0.5 - 6mm ±0.1mm 6 - 30mm ±0.2mm 30 - 120mm ±0.3mm ANGLES ±1°	MATERIAL	DRAWN L.L.L DATE 16-Jun-09	TITLE SMP RIGHT ANGLE JACK (FOR RG-316U CABLE)		Amphenol RF Danbury CT USA, Tainan, Taiwan, Shenzhen, China www.amphenolrf.com
	NOTICE - These drawings, specifications, or other data (1) are, and remain the property of Amphenol Corp. (2) must be returned upon request; and (3) are confidential and not to be disclosed to any person other than those to whom they are given by Amphenol Corp. The furnishing of these drawings, specifications, or other data by Amphenol Corp., or to any other person to anyone for any purpose is not to be regarded by implication or otherwise in any manner licensing, granting rights to permitting such holder or any other person to manufacture, use or sell any product, process or design, patented or otherwise, that may in any way be related to or disclosed by said drawings, specifications, or other data.	REFERENCE	ENGINEER Edwourd DATE 16-Jun-09 APPROVED Andy.C DATE 06-17-09	SCALE: 8.0:1.0 SHEET 2 OF 2	
FINISH	I:\SMP\SMP6112BI-004-3GT30G-50	DWG SIZE B	CODE ID 74868	REV 2	